

GENERATOR

Intec Part #: 77002-18PKG

Generator 18,000W with wheel kit, handle, & battery

Generator

Professional Grade – 18,000 Watts ~ Meets Contractors' Demands

Rugged Steel Design.



- 18,000 Watts Starting
- 16,500 Watts Running

B & S Commercial Vanguard Engine.



Brushless Industrial Genend.



Powered by VANGUARD 895cc V-Twin
Frequency regulation for sensitive electronics

YOUR GEN



LED Display

Hours, RPMs, voltage, and frequency readings automatically cycle on the display.

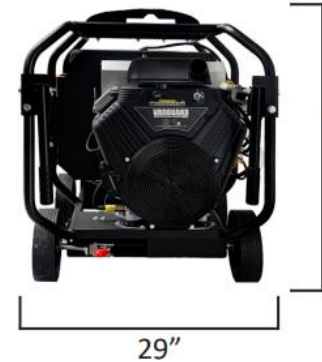
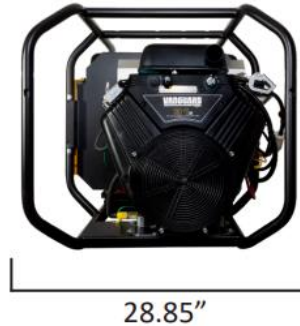
Load Bars

Easily verify the load balance on each leg of the generator end.

Warnings

The LED will flash if any parameter gets outside of normal range. A warning will also be displayed when it is time for an oil change.

Receptacle Panel



integrity

excellence

innovation

trust

800-666-1611

www.inteccorp.com

Rev: 20240620



FORCE[®]

Insulation Blowing Machines



MEGA Beast

Cyclone

Fiber Force

FORCE/2 HP

FORCE/3 HP2

TURBO FORCE

FORCE 5250

FORCE 5650

FORCE 5850

Specifications

ENGINE		ELECTRICAL	
ENGINE BRAND	BRIGGS & STRATTON	STARTING WATTS	18,000
ENGINE MODEL	VANGUARD	RUNNING WATTS	16,500
ENGINE STARTER	ELECTRIC	RUNNING AMPS @ 120 VAC	137.5
ENGINE SPEED	3600 RPM	RUNNING AMPS @ 240 VAC	68.75
ENGINE CYLINDERS	V-TWIN	VOLTAGE REGULATION	CAPACITOR +/- 5%
DISPLACEMENT/TYPE	895 CC / OHV	MAIN CIRCUIT BREAKER	60 AMP, 240V VAC
FREQUENCY REGULATION ⁽¹⁾	+/- 3%	BONDED NEUTRAL	YES
LOW OIL PROTECTION	STANDARD	120 VOLT RECEPTACLES	(2) NEMA 5-20 20A DUPLEX (GFCI)
RECOMMENDED OIL ⁽²⁾	5W-30	120/240 VOLT RECEPTACLES	(1) 14-60R 60A (1) L14-30 30A (GFCI)
OIL CAPACITY	2.1 QT	240 VOLT RECEPTACLE	(1) NEMA L6-30 30A (GFCI)
FUEL TANK	15 GAL	YOURGEN METER	STANDARD
FUEL GAUGE	YES		
FULL LOAD RUN TIME ⁽³⁾	6 HOURS		
FUEL CONSUMPTION	GAL/HR		
100%	2.49		
75%	2.01		
50%	1.56		
25%	1.25		
0%	1.00		
BATTERY SIZE ⁽⁴⁾	BCI GROUP 26 500CCA		
GENSET			
MOTOR STARTING (CODE G)	5 HP		
DBA @ 7 METERS	78		
TOTAL HARMONIC DISTORTION	< 6%		
LIFTING EYE ⁽¹⁾	STANDARD		
4-WHEEL DOLLY KIT	OPTIONAL		
INSULATION	CLASS H		
PROTECTIVE ROLL FRAME	1.25" DIA. 14 GA. STEEL		
ASSEMBLED IN	USA		
EPA APPROVED	YES		
CARB APPROVED	NO		
TÜV CSA CERTIFICATION	NO		
UNIT WARRANTY ⁽²⁾	3 YEARS COMMERCIAL		

NOTES: (1) Lifting eye shipped loose. (2) For more generator warranty, see operator's manual.

Specifications subject to change; contact Intec for current specifications

Features

GENERATOR

The WL18000VE is the second largest portable generator we carry. It has proven itself as a strong and dependable portable generator for roofing and sprayfoam applications.

Briggs & Stratton Vanguard Engine

Premium-grade Vanguard engines are application engineered to power equipment that works for a living.

Low Oil Protection

In the event of low-oil level, the engine will shut down, which will protect the engine from damage.

YourGen Meter

LED meter displaying hours, RPMs, voltage, and frequency readings. Verifies the load balance with a load bar display. Warnings when a parameter is outside of normal range and when an oil change is needed.

Powder Coat Paint

Incredibly strong finish.

Sturdy Wrap Around Cradle

14 Gauge, welded, tubular steel provides industrial strength support.

15 Gallon Fuel Tank

EPA Approved steel fuel tank designed to eliminate hydrocarbon emissions.

Premium Circuit Breakers

Provides a clear and instant indication of a tripped circuit.

100% Load Tested

You won't find statistical sampling here. We load test every generator before it leaves factory.

Accessories

Standard - Four Wheel Dolly Kit with 10" diameter run-flat wheels and handle



Standard - Battery

500 Cold Cranking Amps



Slide Out – options available
Part #: 77045-00 or 77046-00

Distributed by



Manufactured by

Insulation Technology Corporation, d.b.a. Intec
9251 Bruin Boulevard
Frederick, CO 80504



phone: 303-833-6644
sales@inteccorp.com

www.inteccorp.com



... it's the 'tec' inside that counts!