



**Professional Grade
Heavy Duty Capabilities**

Part number: 72800-00
Insulation Removal Vacuum

The insulation vacuum designed for the needs of the Contractor & Rental Industry!



Intec's VORTEC® family of high-powered vacuums offer high productivity with robust engineering combined to provide the highest value vacuum in today's market. Designed to meet the rental industries long-lasting requirements, these vacuums provide for profitable recycling of spray applied insulation, removal of damaged insulation due to fire, water, and smoke, and HVAC cleaning – in addition to leaf cleanup. The many unique features of Intec's VORTEC vacuums – combined with HONDA engines -- provide for a superior return on investment.

Engineered for High Productivity

Built-to-Last for High Value Generation

POWERED by HONDA with legendary reliability and quiet operation, the GX200 provides excellent starting, smooth operation, low fuel consumption, and outstanding emissions performance.

- IMPELLER
 - ✓ independently supported with break-away coupler extends engine life
 - ✓ precision balanced
 - ✓ Abrasive resistant
- WHEELS – run flat
- SHROUD – long lasting
 - ✓ thick gauge
 - ✓ powder coated
 - ✓ Abrasive resistant steel on curve to promote long life
- HANDLE
 - ✓ Reversible & removable

integrity

excellence

innovation

trust

www.inteccorp.com

Rev: 202240620

Intec's Professional Grade Equipment



Engineered for High Productivity

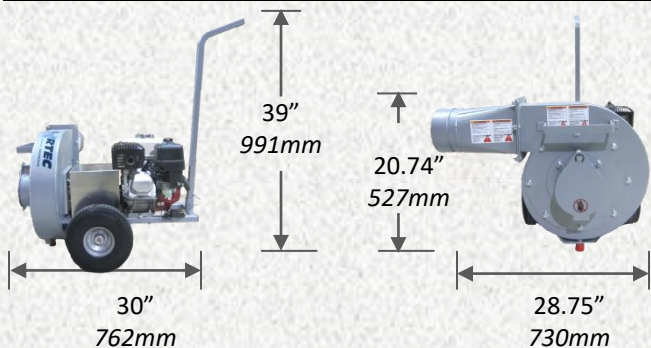
Built-to-Last for High Value Generation



Insulation Blowing Machines



Specifications



- Body: Powder-coated Steel with 10" run-flat wheels.
- Weight: 138 lbs.
- Inlet: 6".
- Outlet: 6".
- Motor: Honda GX200 –5.5 net horsepower with 3 year limited warranty.
- Fuel: 3.3 quart gas tank.
- Large Fan wheel on independent bearing supported shaft with break-away coupler – prolongs engine life & provides for efficient power transfer from engine to impeller.
- 1 year limited warranty.

Specifications subject to change; contact Intec for current specifications

Accessories



Enhance Safety & Extend the Vacuum's Life

- ✓ Safety enhanced by limiting foreign objects from exiting vacuum at high speeds.
- ✓ Vacuum's Life extended by preventing foreign materials from entering the vacuum & potentially causing damage to the impeller, shroud, and engine.



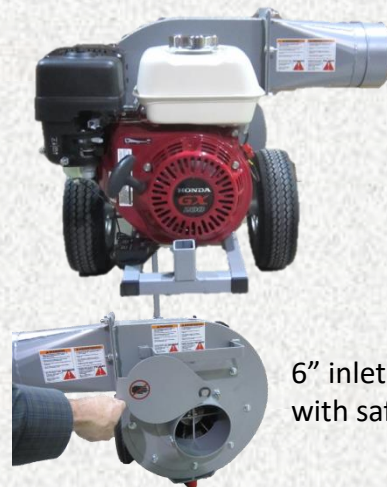
Simplify pickup

- ✓ 4" and 6" diameters, 4' and 2' lengths.
- ✓ Swivel hose connector simplifies movement.



Features

Honda GX200 engine w/
HONDA 3 yr warranty.



6" inlet & outlet
with safety flaps

12" diameter impeller made out of
abrasive resistant steel for long life.



Thick-gauge shroud
with abrasive
resistant curved
section for long life



Tiny Tach w/
• Hour meter
• rpm

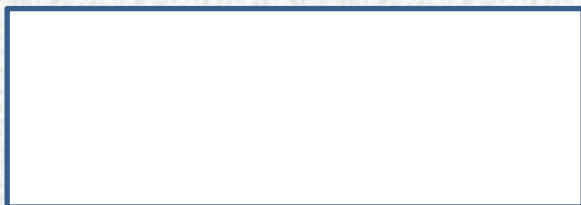
INDUSTRY FIRST

Intec Exclusive Hub Assembly &
Break Away Coupler remove
torsional stresses from engine and
help prevent catastrophic failures.



- ✓ Translucent ~ see product flow
 - ✓ Extra durable to resist punctures
 - ✓ Smooth interior for enhanced production
 - ✓ Blue wear strip extends life
- also look to Intec for vacuum bags

Distributed by



Manufactured by

Insulation Technology Corporation, d.b.a. Intec
9251 Bruin Boulevard
Frederick, CO 80504



phone: 303-833-6644
sales@inteccorp.com

www.inteccorp.com