



Professional Grade

Heavy Duty Capabilities

Part #: 74220 VOLT

Electric High-Powered Vacuum

**Electric high-powered vacuum designed for the needs of many industries!**



VORTEC® VOLT 220

Intec's VORTEC family of high-powered vacuums offer high productivity with robust engineering to provide the highest value vacuum in today's market. Gas or Electric – we got you covered.

The VORTEC VOLT 220 is quiet, exhausts no fumes, and can be powered by a single dryer outlet. The VOLT 220 vacuum provides for profitable HVAC cleaning, recycling of spray applied insulation, removal of damaged insulation due to fire, water, and smoke, lawn & garden cleanup. The uses and markets are endless!

**Built-to-Last for High Value Generation**

- IMPELLER
  - Oversized to move High Volume
  - Abrasive Resistant steel = long life
- Run Flat WHEELS

- Easy to use – Plug into standard 220V – 30amp circuit, or utilize dryer outlet adaptor (optional) when powering from standard home.
- Variable Frequency Drive ensures smooth powering up and efficient operation.

**Engineered for High Productivity**

- Thick SHROUD
  - 2X thick Abrasive Resistant steel at wear points
- Highly PORTABLE



integrity

excellence

innovation

trust

303-833-6644

[www.inteccorp.com](http://www.inteccorp.com)

Rev: 20230121



Intec's Professional Grade Equipment

Engineered for High Productivity

Built-to-Last for High Value Generation

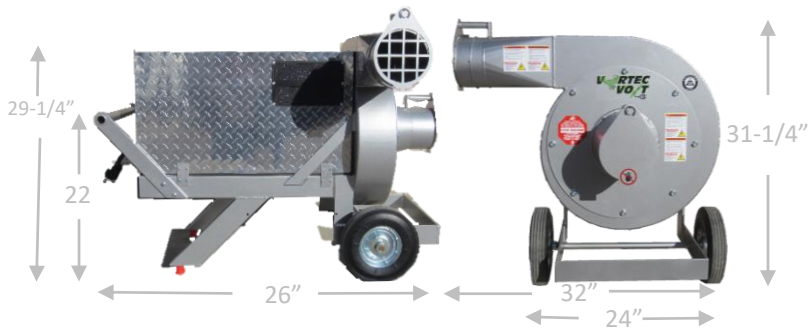


Insulation Blowing Machines





## Specifications



- Body: Powder-coated steel with 10" run-flat wheels.
- Weight: 310 lbs (141kg).
- Inlet & Outlet: 6" diameter standard.
- Power Cord: 50' of 10/3 power cord standard.
- Motor: Powered by one 220V – 30amp circuit.
- Fuel: Electricity.
- Large Fan wheel on independent bearing supported shaft with break-away coupler – prolongs engine life & provides for efficient power transfer from engine to impeller.
- Extra thick shroud – 2X thick abrasive resistant steel in main wear area.
- Warranty: 1 year limited.

Specifications subject to change; contact Intec for current specifications

## Features

- Thick gauge steel construction with 2X thickness Abrasive Resistant steel in wear areas.
- Sealed motor area with inlet & outlet filters keeps dust out of engine compartment.
- Handle provides for great lift point & ease in movement.



- Easy to use controls simplify operation.
- Instructions remind operators of key maintenance items.



- Run Flat tires.



- Pivoting inlet & outlet gates promote safe operation.

- Optional dryer plug enables use of 3 or 4 prong dryer receptacle for power source.

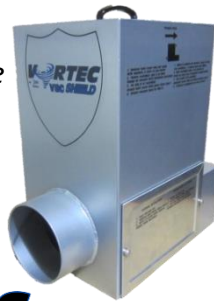


## Accessories – can be used with all vacuums



### Enhance Safety & Extend the Vacuum's Life

- ✓ Safety enhanced by limiting foreign objects from exiting vacuum at high speeds.
- ✓ Vacuum's Life extended by preventing foreign materials from entering the vacuum & potentially causing damage to the impeller, shroud, and engine.



### Eliminate Bag Change Down Time

### 2 Individuals with One Vacuum



Keep filling bags with no down-time

Shown with Intec's VORTEC Beast & VORTEC vacSHIELD

Obtain desired flexibility while maintaining vacuums natural production



### Simplify pickup

- ✓ 4" and 6" diameters, 4' and 2' lengths.
- ✓ Swivel hose connector simplifies movement.



- ✓ Translucent ~ see product flow
  - ✓ Extra durable to resist punctures
  - ✓ Smooth interior for enhanced production
  - ✓ Blue wear strip extends life
- also look to Intec for vacuum bags

Distributed by



Manufactured by

Insulation Technology Corporation, d.b.a. Intec  
9251 Bruin Boulevard  
Frederick, CO 80504



Local: 303-833-6644  
Fax: 303-833-6650  
sales@inteccorp.com

www.inteccorp.com

... it's the 'tec' inside that counts!

