



Professional Grade

Heavy Duty Capabilities

Part #: 74220 VOLT

Electric High-Powered Vacuum

Electric high-powered vacuum designed for the needs of many industries!



VORTEC® VOLT 220

Intec's VORTEC family of high-powered vacuums offer high productivity with robust engineering to provide the highest value vacuum in today's market. Gas or Electric – we got you covered.

The VORTEC VOLT 220 is quiet, exhausts no fumes, and can be powered by a single dryer outlet. The VOLT 220 vacuum provides for profitable HVAC cleaning, recycling of spray applied insulation, removal of damaged insulation due to fire, water, and smoke, lawn & garden cleanup. The uses and markets are endless!

Built-to-Last for High Value Generation

- IMPELLER
 - Oversized to move High Volume
 - Abrasive Resistant steel = long life
- Run Flat WHEELS

- Easy to use – Plug into standard 220V – 30amp circuit, or utilize dryer outlet adaptor (optional) when powering from standard home.
- Variable Frequency Drive ensures smooth powering up and efficient operation.

Engineered for High Productivity

- Thick SHROUD
 - 2X thick Abrasive Resistant steel at wear points
- Highly PORTABLE



integrity

excellence

innovation

trust

303-833-6644

www.inteccorp.com

Rev: 20240620



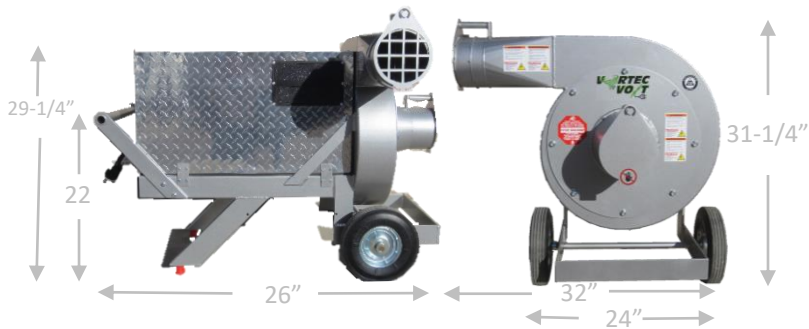
FORCE®

Insulation Blowing Machines



MEGA Beast Cyclone Fiber Force FORCE/2 HP FORCE/3 HP2 TURBO FORCE FORCE 5250 FORCE 5650 FORCE 5850

Specifications



- Body: Powder-coated steel with 10" run-flat wheels.
- Weight: 310 lbs (141kg).
- Inlet & Outlet: 6" diameter standard.
- Power Cord: 50' of 10/3 power cord standard.
- Motor: Powered by one 220V – 30amp circuit.
- Fuel: Electricity.
- Large Fan wheel on independent bearing supported shaft with break-away coupler – prolongs engine life & provides for efficient power transfer from engine to impeller.
- Extra thick shroud – 2X thick abrasive resistant steel in main wear area.
- Warranty: 1 year limited.

Specifications subject to change; contact Intec for current specifications

Features

- Thick gauge steel construction with 2X thickness Abrasive Resistant steel in wear areas.
- Sealed motor area with inlet & outlet filters keeps dust out of engine compartment.
- Handle provides for great lift point & ease in movement.



- Easy to use controls simplify operation.
- Instructions remind operators of key maintenance items.



- Run Flat tires.



- Pivoting inlet & outlet gates promote safe operation.

- Optional dryer plug enables use of 3 or 4 prong dryer receptacle for power source.

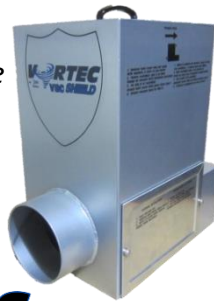


Accessories – can be used with all vacuums



Enhance Safety & Extend the Vacuum's Life

- ✓ Safety enhanced by limiting foreign objects from exiting vacuum at high speeds.
- ✓ Vacuum's Life extended by preventing foreign materials from entering the vacuum & potentially causing damage to the impeller, shroud, and engine.



Eliminate Bag Change Down Time

2 Individuals with One Vacuum



Keep filling bags with no down-time

Obtain desired flexibility while maintaining vacuums natural production



Simplify pickup

- ✓ 4" and 6" diameters, 4' and 2' lengths.
- ✓ Swivel hose connector simplifies movement.



- ✓ Translucent ~ see product flow
 - ✓ Extra durable to resist punctures
 - ✓ Smooth interior for enhanced production
 - ✓ Blue wear strip extends life
- also look to Intec for vacuum bags

6" diameter vacTUFF hose

4" diameter vacTUFF hose

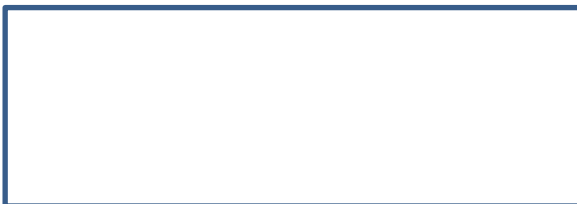
Intec's swivel hose connectors

vacSHIELD

vacTUBES



Distributed by



Manufactured by

Insulation Technology Corporation, d.b.a. Intec
9251 Bruin Boulevard
Frederick, CO 80504



phone: 303-833-6644

sales@intecorp.com

www.intecorp.com



... it's the 'tec' inside that counts!