

VORTEC vacBAGs:

- Virtually tear resistant
- Hold 75 cubic feet capacity
  - ✓ Fill them up to move a lot of product

- Can be moved around as you desire
  - ✓ Even with a forklift
- Act as a filter to *keep dust inside the bag*
  - ✓ Cleaner work environment.
- 10 individually wrapped bags per case

Packaged 10 individually wrapped bags per case



VORTEC BLACK vacuum bag

Part # 74004 Black



VORTEC Platinum vacuum bag

Part # 74004 Platinum



VORTEC Better vacuum bag

Part # 74004 Better



VORTEC Standard vacuum bag

Part # 74004 Standard



- 118 GSM nonwoven polypropylene fabric
- ~2x thicker than industry standard



- 110 GSM nonwoven polypropylene fabric
- ~2X thicker than industry standard



- 80 GSM nonwoven polypropylene fabric
- ~33% thicker than industry standard



- 72 GSM nonwoven polypropylene fabric
- ~20% thicker than industry standard



**NEW OFFERING**

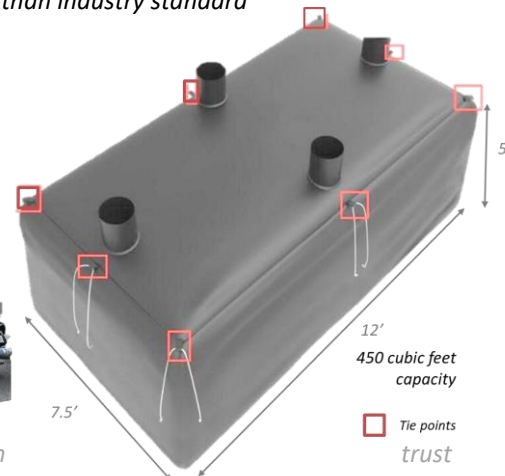
- Trailer vacBAGS
- Thick to resist tearing: 110gsm / 3.9 oz
- Individually wrapped bags; 2 per case

integrity

excellence



innovation





**Enhance Safety & Extend the Vacuum's Life**

- ✓ Safety enhanced by limiting foreign objects from exiting vacuum at high speeds.
- ✓ Vacuum's Life extended by preventing foreign materials from entering the vacuum & potentially causing damage to the impeller, shroud, and engine.



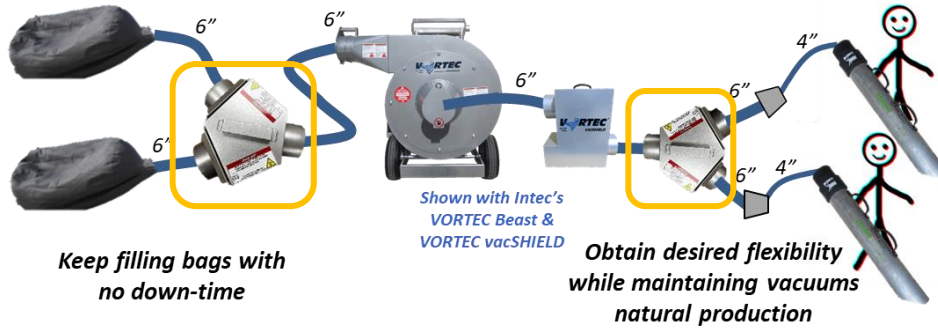
**Simplify pickup**

- ✓ 4" and 6" diameters, 4' and 2' lengths.
- ✓ Swivel hose connector simplifies movement.



**Eliminate Bag Change Down Time**

**2 Individuals with One Vacuum**



303-833-6644

www.inteccorp.com

Rev: 20240120



**FORCE**

Insulation Blowing Machines

