

**Electric high-powered vacuum designed for the needs of many industries!**



Intec took our 40 years of electrical motor knowledge & know-how to maximize power with minimal voltage & amperage input to the next level...

The VORTEC VOLT 110 is powerful, quiet, exhausts no fumes, and is powered by a single easy to find 110V – 20amp circuit (note: in all customer uses to date, a single 15amp circuit is all that was required).

1. Test market customers' feedback

**Engineered for High Productivity**

**Built-to-Last for High Value Generation**

Patent D738406S  
Patents Pending

VORTEC VOLT110

**Industry Firsts**

1. Intec Exclusive Hub Assembly with break-away coupler provides higher power transfer, longer engine life, and better system weight balance!



- OVERSIZED IMPELLER
- ✓ independently supported with break-away coupler extends engine life
- ✓ precision balanced
- ✓ Abrasive resistant steel for long life
- SHROUD – long lasting
- ✓ thick gauge
- ✓ Abrasive resistant steel
- HANDLE
- ✓ Reversible & removable
- WHEELS – run flat

**Many Market Uses**

- Insulation Removal
- ✓ Scarfed foam
- ✓ Fiberglass
- ✓ Cellulose
- Insulation Recycling
- Lawn & Garden
- Restoration / Water damage

integrity

excellence

innovation

trust

[www.inteccorp.com](http://www.inteccorp.com)

Rev: 20240620



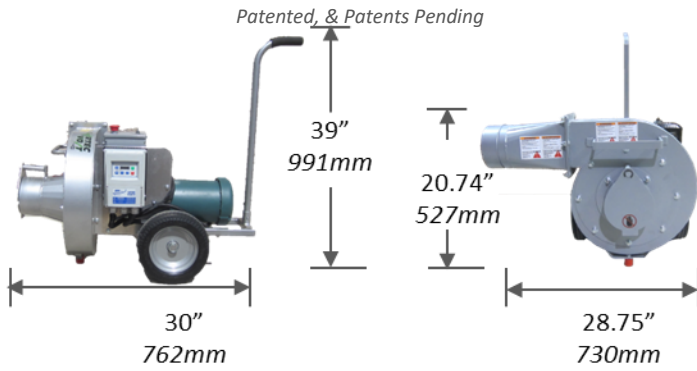
**FORCE**

Insulation Blowing Machines



MEGA Beast    Cyclone    Fiber Force    FORCE/2 HP    FORCE/3 HP2    TURBO FORCE    FORCE 5250    FORCE 5650    FORCE 5850

## Specifications



- Body: Powder-coated Steel with 10" run-flat wheels.
- Weight: 138 lbs.
- Impeller: 12" diameter, extra deep for high production
- Inlet: 6" standard; 4" optional.
- Outlet: 6".
- Motor: 2hp powered by one 110V – 20amp circuit.
- Fuel: electricity.
- Large Fan wheel on independent bearing supported shaft with break-away coupler – prolongs engine life & provides for efficient power transfer from engine to impeller.
- 1 year limited warranty.

Specifications subject to change; contact Intec for current specifications

## Accessories – can be used with all vacuums



### Enhance Safety & Extend the Vacuum's Life

- ✓ Safety enhanced by limiting foreign objects from exiting vacuum at high speeds.
- ✓ Vacuum's Life extended by preventing foreign materials from entering the vacuum & potentially causing damage to the impeller, shroud, and engine.



shown with VORTEC Beast vacuum



### Simplify pickup

- ✓ 4" and 6" diameters, 4' and 2' lengths.
- ✓ Swivel hose connector simplifies movement.



## Features



Safety Shields on both inlet and outlets

Lift handle and grab points simplify portability



Abrasive Resistant steel impeller & curvature in shroud - lasts for very long time



Variable Frequency Drive programmed to drive powerful motor using only one easy to find 120 Volt – 20amp circuit. Most users use only one 120V – 15amp circuit!



Easy to use controls with optional GOWIRELESS Long Range Transmission remote

Small size and clean power simplifies transportation to and into the job site



- ✓ Translucent ~ see product flow
  - ✓ Extra durable to resist punctures
  - ✓ Smooth interior for enhanced production
  - ✓ Blue wear strip extends life
- also look to Intec for vacuum bags

6" diameter vacTUFF hose

4" diameter vacTUFF hose

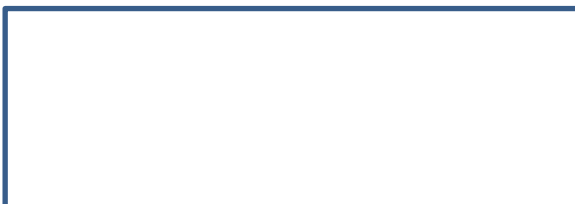
Intec's swivel hose connectors

vacSHIELD

vacTUBES



Distributed by



Manufactured by

Insulation Technology Corporation, d.b.a. Intec  
9251 Bruin Boulevard  
Frederick, CO 80504



phone: 303-833-6644  
sales@intecorp.com

www.intecorp.com



... it's the 'tec' inside that counts!